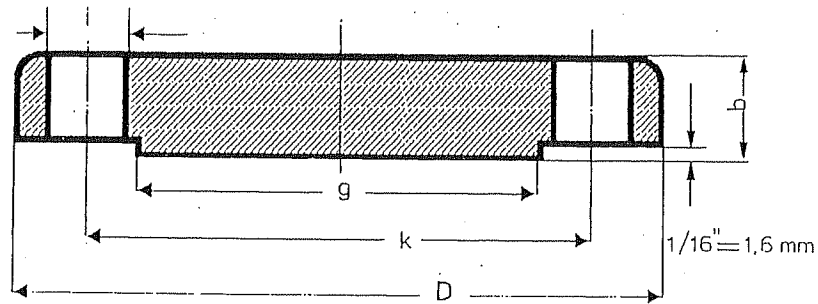


# Blind Flanges

# ANSI B16.5

# 150 Lbs

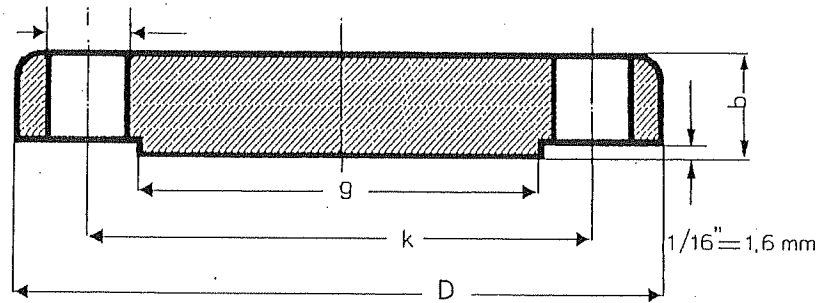


nominal pipe size	outside diam. of flange D	thickness of flange b	diam. of raised face g	drilling template			stud bolts			approx. weight kilo
				diam. of bolt circle k	n° of holes	diam. of bolt holes i	diam.	length		
								1/16" raised face	ring joint	
1/2"	88.9	11.1	34.9	60.3	4	15.9	1/2	2 1/2	-	0.8
3/4"	98.4	12.7	42.9	69.8	4	15.9	1/2	2 1/2	-	0.9
1"	107.9	14.3	50.8	79.4	4	15.9	1/2	2 3/4	3 1/4	1.0
1 1/4"	117.5	15.9	63.5	88.9	4	15.9	1/2	2 3/4	3 1/4	1.3
1 1/2"	127.0	17.5	73.0	98.4	4	15.9	1/2	3	3 1/2	3.0
2"	152.4	19.0	92.1	120.6	4	19.0	5/8	3 1/4	3 3/4	1.8
2 1/2"	177.8	22.2	104.8	139.7	4	19.0	5/8	3 1/2	4	3.2
3"	190.5	23.8	127.0	152.4	4	19.0	5/8	3 3/4	4 1/4	4.1
3 1/2"	215.9	23.8	139.7	177.8	8	19.0	5/8	3 3/4	4 1/4	5.9
4"	228.6	23.8	157.2	190.5	8	19.0	5/8	3 3/4	4 1/4	7.7
5"	254.0	23.8	185.7	215.9	8	22.2	3/4	4	4 1/2	9.1
6"	279.4	25.4	215.9	241.3	8	22.2	3/4	4	4 1/2	11.8
8"	342.9	28.6	269.9	298.4	8	22.2	3/4	4 1/4	4 3/4	20.4
10"	406.4	30.2	323.8	361.9	12	25.4	7/8	4 3/4	5 1/4	31.8
12"	482.6	31.7	381.0	431.8	12	25.4	7/8	4 3/4	5 1/4	50.0
14"	533.4	34.9	412.7	476.2	12	28.6	1	5 1/4	5 3/4	60.0
16"	596.9	36.5	469.9	539.7	16	28.6	1	5 1/2	6	77.0
18"	635.0	39.7	533.4	577.8	16	31.7	1 1/8	6	6 1/2	95.0
20"	698.5	42.9	584.2	635.0	20	31.7	1 1/8	6 1/4	6 3/4	123.0
22"	749.3	46.0	641.2	692.1	20	34.9	1 1/4	7	7 1/2	151.0
24"	812.8	47.6	692.1	749.3	20	34.9	1 1/4	7	7 1/2	187.0

# Blind Flanges

# MSS-SP44

# 150 Lbs

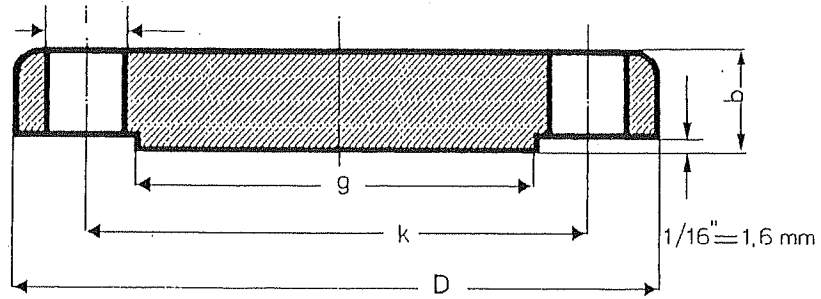


nominal pipe size	outside diam. of pipe a	outside diam. of flange D	thickness of flange (min) b	diam. of raised face g	DRILLING TEMPLATE		
					diam. of bolt circle K	n° of holes	diam. of bolt holes i
26	660.4	870	68	749	806	24	35
28	711.2	927	71	800	864	28	35
30	762.0	984	75	857	914	28	35
32	812.8	1060	81	914	978	28	41
34	863.6	1111	83	965	1029	32	41
36	914.4	1168	90	1022	1086	32	41
38	965.2	1238	87	1073	1149	32	41
40	1016.0	1289	90	1124	1200	36	41
42	1066.8	1346	97	1194	1257	36	41
44	1117.6	1403	102	1245	1314	40	41
46	1168.4	1454	103	1295	1365	40	41
48	1219.2	1511	108	1359	1422	44	41
50	1270.0	1568	111	1410	1480	44	48
52	1320.8	1626	116	1461	1537	44	48
54	1371.6	1683	121	1511	1594	44	48
56	1422.4	1746	124	1575	1651	48	48
58	1473.2	1803	129	1626	1708	48	48
60	1524.0	1854	132	1676	1759	52	48

# Blind Flanges

# ANSI B16.5

# 300 Lbs

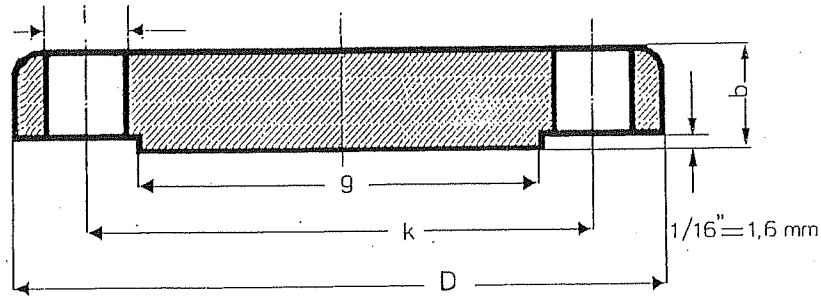


nominal pipe size	outside diam. of flange D	thickness of flange b	diam. of raised face g	drilling template			stud bolts			approx. weight kilo
				diam. of bolt circle k	n° of holes	diam. of bolt holes i	diam.	length		
								1/16" raised face	ring joint	
1/2"	95.2	14.3	34.9	66.7	4	15.9	1/2	2 3/4	3	1.0
3/4"	117.5	15.9	42.9	82.5	4	19.0	5/8	3	3 1/2	1.4
1"	123.8	17.5	50.8	88.9	4	19.0	5/8	3 1/4	3 3/4	1.8
1 1/4"	133.3	19.0	63.5	98.4	4	19.0	5/8	3 1/4	3 3/4	2.7
1 1/2"	155.6	20.6	73.0	114.3	4	22.2	3/4	3 3/4	4 1/4	3.2
2"	165.1	22.2	92.1	127.0	8	19.0	5/8	3 1/2	4 1/4	3.6
2 1/2"	190.5	25.4	104.8	149.2	8	22.2	3/4	4	4 3/4	5.4
3"	209.5	28.6	127.0	168.3	8	22.2	3/4	4 1/4	5	7.3
3 1/2"	228.6	30.2	139.7	184.1	8	22.2	3/4	4 1/2	5 1/4	9.8
4"	254.0	31.7	157.2	200.0	8	22.2	3/4	4 1/2	5 1/4	12.2
5"	279.4	34.9	185.7	234.9	8	22.2	3/4	4 3/4	5 1/2	15.9
6"	317.5	36.5	215.9	269.9	12	22.2	3/4	5	5 3/4	22.7
8"	381.0	41.3	269.9	330.2	12	25.4	7/8	5 1/2	6 1/4	37.0
10"	444.5	47.6	323.8	387.3	16	28.6	1	6 1/4	7	58.0
12"	520.7	50.8	381.0	450.8	16	31.7	1 1/8	6 3/4	7 1/2	84.0
14"	584.2	54.0	412.7	514.3	20	31.7	1 1/8	7	7 3/4	107.0
16"	647.7	57.1	469.9	571.5	20	34.9	1 1/4	7 1/2	8 1/4	139.0
18"	711.2	60.3	533.4	628.6	24	34.9	1 1/4	7 3/4	8 1/2	177.0
20"	774.7	63.5	584.2	685.8	24	34.9	1 1/4	8 1/4	9	223.0
22"	838.2	66.7	641.2	742.9	24	41.3	1 1/2	9 1/4	10 1/4	270.0
24"	914.4	69.8	692.1	812.8	24	41.3	1 1/2	9 1/4	10 1/4	342.0

# Blind Flanges

# MSS-SP44

# 300 Lbs

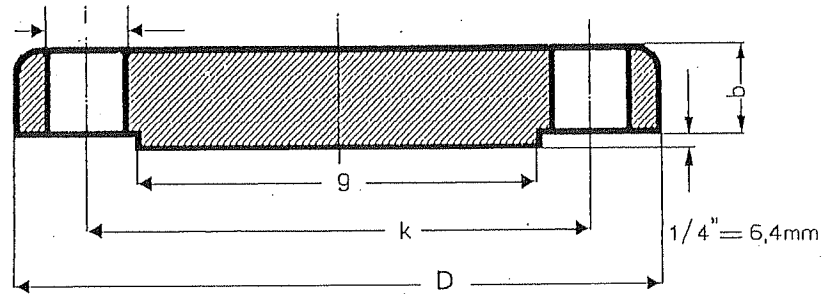


nominal pipe size	outside diam. of pipe a	outside diam. of flange D	thickness of flange (min) b	diam. of raised face g	DRILLING TEMPLATE		
					diam. of bolt circle K	n° of holes	diam. of bolt holes i
26"	660.4	972	84	749	876	28	44
28"	711.2	1035	90	800	940	28	44
30"	762.0	1092	95	857	997	28	48
32"	812.8	1149	100	914	1054	28	51
34"	863.6	1207	105	965	1105	28	51
36"	914.4	1270	111	1022	1168	32	54
38"	965.2	1168	108	1029	1092	32	41
40"	1016.0	1238	111	1086	1156	32	44
42"	1066.8	1289	119	1137	1207	32	44
44"	1117.6	1353	124	1194	1264	32	48
46"	1168.4	1416	129	1245	1321	28	51
48"	1219.2	1467	133	1302	1372	32	51
50"	1270.0	1530	140	1359	1429	32	54
52"	1320.8	1581	145	1410	1480	32	54
54"	1371.6	1657	152	1467	1549	28	60
56"	1422.4	1708	154	1518	1600	28	60
58"	1473.2	1759	159	1575	1651	32	60
60"	1524.0	1810	164	1626	1702	32	60

# Blind Flanges

# ANSI B16.5

# 600 Lbs

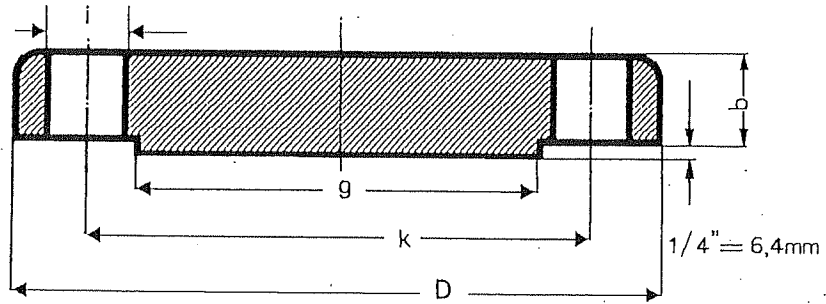


nominal pipe size	outside diam. of flange  D	thickness of flange  b	diam. of raised face  g	drilling template			stud bolts			approx. weight kilo
				diam. of bolt circle  k	n° of holes	diam. of bolt holes  i	diam.	length		
								1/4" raised face	ring joint	
1/2"	95.2	14.3	34.9	66.7	4	16.0	1/2	3 1/4	3	1.0
3/4"	117.5	15.9	42.9	82.5	4	19.0	5/8	3 1/2	3 1/2	1.4
1"	123.8	17.5	50.8	88.9	4	19.0	5/8	3 3/4	3 3/4	1.8
1 1/4"	133.3	20.6	63.5	98.4	4	19.0	5/8	4	4	2.7
1 1/2"	155.6	22.2	73.0	114.3	4	22.2	3/4	4 1/4	4 1/4	3.6
2"	165.1	25.4	92.1	127.0	8	19.0	5/8	4 1/4	4 1/2	4.5
2 1/2"	190.5	28.6	104.8	149.2	8	22.2	3/4	4 3/4	5	6.8
3"	209.5	31.7	127.0	168.3	8	22.2	3/4	5	5 1/4	9.1
3 1/2"	228.6	34.9	139.7	184.1	8	25.4	7/8	5 1/2	5 3/4	13.2
4"	273.0	38.1	157.2	215.9	8	25.4	7/8	5 3/4	6	13.6
5"	330.2	44.4	185.7	266.7	8	28.6	1	6 1/2	6 3/4	30.9
6"	355.6	47.6	215.9	292.1	12	28.6	1	6 3/4	7	39.0
8"	419.1	55.6	269.9	349.2	12	31.7	1 1/8	7 3/4	7 3/4	63.0
10"	508.0	63.5	323.8	431.8	16	34.9	1 1/4	8 1/2	8 3/4	105.0
12"	558.8	66.7	381.0	488.9	20	34.9	1 1/4	8 3/4	9	134.0
14"	603.2	69.8	412.7	527.0	20	38.1	1 3/8	9 1/4	9 1/2	172.0
16"	685.8	76.2	469.9	603.2	20	41.3	1 1/2	10	10 1/4	239.0
18"	742.9	82.5	533.4	654.0	20	44.4	1 5/8	10 3/4	11	302.0
20"	812.8	88.9	584.2	723.9	24	44.4	1 5/8	11 1/2	11 3/4	388.0
22"	869.9	95.2	641.2	777.9	24	47.6	1 3/4	13	13 1/4	437.0
24"	939.8	101.6	692.1	838.2	24	50.8	1 7/8	13	13 1/4	533.0

# Blind Flanges

MSS-SP44

600 Lbs



nominal pipe size	outside diam. of pipe a	outside diam. of flange D	thickness of flange (min) b	diam. of raised face g	DRILLING TEMPLATE		
					diam. of bolt circle K	n° of holes	diam. of bolt holes i
26"	660.4	1016	125	749	914	28	51
28"	711.2	1073	132	800	965	28	54
30"	762.0	1130	140	857	1022	28	54
32"	812.8	1194	148	914	1080	28	60
34"	863.6	1245	154	965	1130	28	60
36"	914.4	1314	162	1022	1194	28	67
38"	965.2	1270	155	1054	1162	28	60
40"	1016.0	1321	162	1111	1213	32	60
42"	1066.8	1403	171	1168	1283	28	67
44"	1117.6	1454	178	1226	1334	32	67
46"	1168.4	1511	186	1276	1391	32	67
48"	1219.2	1594	195	1334	1461	32	73
50"	1270.0	1670	203	1384	1524	28	79
52"	1320.8	1721	210	1435	1575	32	79
54"	1371.6	1778	217	1492	1632	32	79
56"	1422.4	1854	226	1543	1695	32	86
58"	1473.2	1905	232	1600	1746	32	86
60"	1524.0	1994	243	1657	1822	28	92



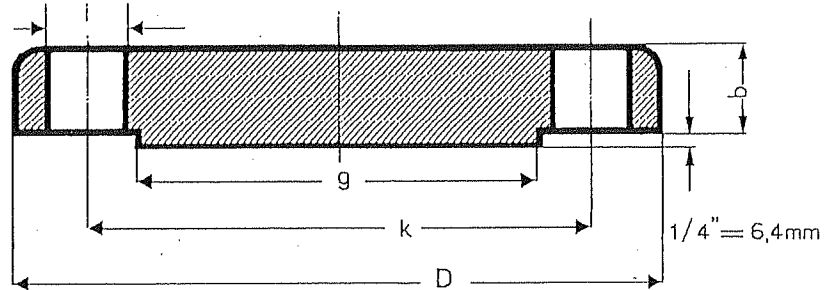




# Blind Flanges

# ANSI B16.5

# 1500 Lbs



nominal pipe size	outside diam. of flange  D	thickness of flange  b	diam. of raised face  g	drilling template			stud bolts			approx. weight kilo
				diam. of bolt circle  k	n° of holes	diam. of bolt holes  i	diam.	length		
								1/4" raised face	ring joint	
1/2"	120.6	22.2	34.9	82.5	4	22.2	3/4	4 1/4	4 1/4	1.8
3/4"	130.2	25.4	42.9	88.9	4	22.2	3/4	4 1/2	4 1/2	2.7
1"	149.2	28.6	50.8	101.6	4	25.4	7/8	5	5	4.1
1 1/4"	158.7	28.6	63.5	111.1	4	25.4	7/8	5	5	4.5
1 1/2"	177.8	31.7	73.0	123.8	4	28.6	1	5 1/2	5 1/2	6.4
2"	215.9	38.1	92.1	165.1	8	25.4	7/8	5 3/4	5 3/4	11.3
2 1/2"	244.5	41.3	104.8	190.5	8	28.6	1	6 1/4	6 1/4	15.9
3"	266.7	47.6	127.0	203.1	8	31.7	1 1/8	7	7	21.8
4"	311.1	54.0	157.2	241.3	8	34.9	1 1/4	7 3/4	7 3/4	33.0
5"	374.6	73.0	185.7	292.1	8	41.3	1 1/2	9 3/4	9 3/4	64.0
6"	393.7	82.5	215.9	317.5	12	38.1	1 3/8	10 1/4	10 1/2	72.0
8"	482.6	92.1	269.9	393.7	12	44.4	1 5/8	11 1/2	12	137.0
10"	584.2	107.9	323.8	482.6	12	50.8	1 7/8	13 1/4	13 3/4	230.0
12"	673.1	123.8	381.0	571.5	16	54.0	2	14 3/4	15 1/2	352.0
14"	749.3	133.3	412.7	635.0	16	60.3	2 1/4	16	17	461.0
16"	825.5	146.0	469.9	704.8	16	66.7	2 1/2	17 1/2	18 1/2	613.0
18"	914.4	161.9	533.4	774.7	16	73.0	2 3/4	19 1/2	20 1/2	835.0
20"	984.2	177.8	584.2	831.8	16	79.4	3	21 1/2	22 1/2	1062.0
24"	1168.4	203.2	692.1	990.6	16	92.1	3 1/2	24 1/2	25 3/4	1712.0