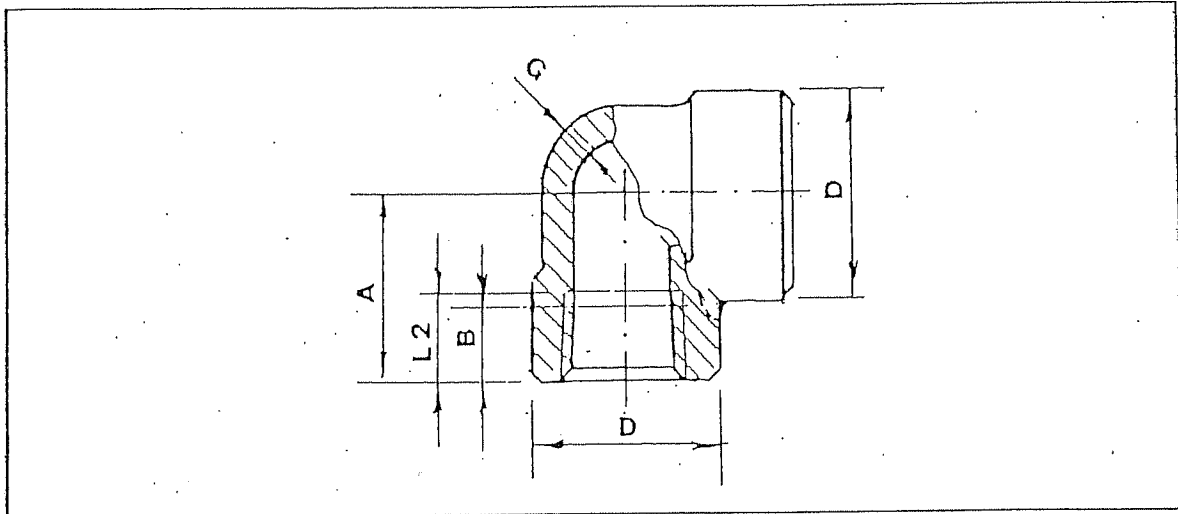


90° Elbows to ANSI B16.11

Threaded to ANSI B2.1



3000 lbs				
ND	A	D	G min.	Weight Kilos/Each
1/8"	21	22	3.0	0.140
1/4"	25	25	3.5	0.175
3/8"	29	33	3.5	0.325
1/2"	33	38	4.0	0.465
3/4"	38	46	4.5	0.700
1"	44	56	5.0	1.080
1 1/4"	51	62	5.5	1.300
1 1/2"	60	75	5.5	2.360
2"	64	84	7.0	2.600
2 1/2"	83	102	7.5	5.700
3"	95	121	9.0	8.000
4"	114	152	11.0	15.500

6000 lbs				
ND	A	D	G min.	Weight Kilos/Each
1/8"	25	25	6.5	0.195
1/4"	29	33	6.5	0.360
3/8"	33	38	7.0	0.510
1/2"	38	46	8.0	0.820
3/4"	44	56	8.5	1.250
1"	51	62	10.0	1.650
1 1/4"	60	75	10.5	2.750
1 1/2"	64	84	11.0	3.550
2"	83	102	12.0	7.100
2 1/2"	95	121	15.5	11.000
3"	106	146	16.5	17.500
4"	114	152	18.5	16.500

\* on request

COMMON DIMENSIONS TO ALL CLASSES

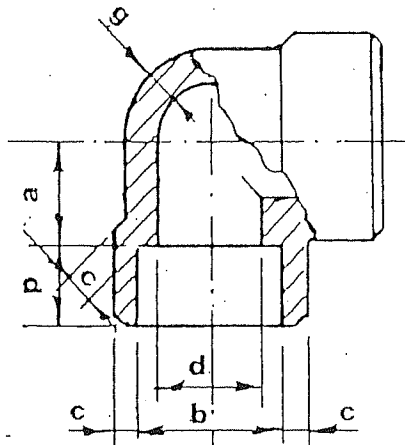
SIZE	B (1) min.	L2 min.
1/8"	6.5	6.5
1/4"	8.0	10.0
3/8"	9.0	10.5
1/2"	11.0	13.5
3/4"	12.5	14.0
1"	14.5	17.5
1 1/4"	17.0	18.0
1 1/2"	18.0	18.5
2"	19.0	19.0
2 1/2"	23.5	29.0
3"	26.0	30.5
4"	27.5	33.0

Dimensions are in mm.

(1) Dimension B is minimum length of perfect thread. The length of useful thread (B plus threads with fully formed roots and flat crests) shall not be less than L2 (effective length of external thread) required by American National Standard for Pipe Threads (ANSI B2.1)

90° Elbows to ANSI B 16.11

Socket Weld to ANSI B 16.11



ND	g		a		b		c		d		p	Weight Kilos/Each
	min.	max.	min.	max.	min.	max.	min.	max.	min.	max.		
<b>3000 lbs</b>												
1/8"	2.40		12	10	10.90	10.65	3.20	7.6	6.1	10		0.125
1/4"	3.00		12	10	14.35	14.10	3.30	10.0	8.5	10		0.125
3/8"	3.20		15	12	17.80	17.55	3.50	13.3	11.8	10		0.145
1/2"	3.75		17	14	21.95	21.70	4.10	16.6	15.0	10		0.275
3/4"	3.90		21	18	27.30	27.05	4.25	21.7	20.2	13		0.375
1"	4.55		24	20	34.05	33.80	5.00	27.4	25.9	13		0.550
1 1/4"	4.85		29	25	42.80	42.55	5.30	35.8	34.3	13		0.780
1 1/2"	5.10		34	30	48.90	48.65	5.55	41.7	40.1	13		1.050
2"	5.55		40	36	61.35	61.10	6.05	53.5	51.7	16		1.500
2 1/2"	7.00		44	39	74.20	73.80	7.65	64.2	61.2	16		3.000
3"	7.60		60	55	90.15	89.80	8.30	79.5	76.4	16		5.000
4"	8.55		69	64	115.80	115.45	9.35	103.8	100.7	19		8.000
<b>6000 lbs</b>												
1/8"	3.15		12	10	10.90	10.65	3.45	4.8	3.2	10		0.140
1/4"	3.70		17	13	14.35	14.10	4.00	7.1	5.6	10		0.175
3/8"	4.00		17	14	17.80	17.55	4.35	9.9	8.4	10		0.350
1/2"	4.80		21	18	21.95	21.70	5.20	12.5	11.0	10		0.400
3/4"	5.55		24	21	27.30	27.05	6.05	16.3	14.8	13		0.650
1"	6.35		29	25	34.05	33.80	6.95	21.5	19.9	13		0.950
1 1/4"	6.35		34	30	42.80	42.55	6.95	30.2	28.7	13		1.350
1 1/2"	7.15		40	36	48.90	48.65	7.80	34.7	33.2	13		2.100
2"	8.75		43	39	61.35	61.10	9.50	43.6	42.1	16		3.100
2 1/2"												
3												
Dimensions are in mm												