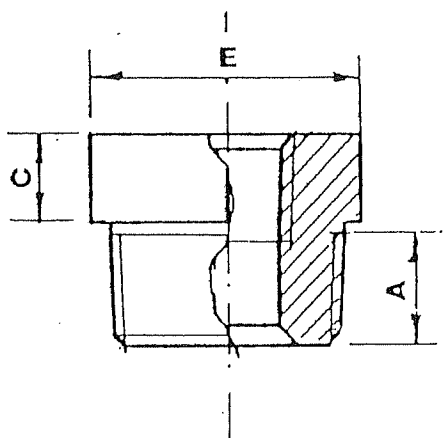


Hex Head Bushing (1) to ANSI B 16.11 Threaded to ANSI B2.1



ND	A min.	C min.	E nominal	Weight Kilos/Each
1/4"	11.0	3	16.0	0.020
3/8"	12.5	4	17.5	0.025
1/2"	14.5	5	22.0	0.040
3/4"	16.0	6	27.0	0.070
1"	19.0	6	35.0	0.115
1 1/4"	20.5	7	44.5	0.230
1 1/2"	20.5	8	51.0	0.250
2"	22.0	9	63.5	0.500
2 1/2"	27.0	10	76.0	0.750
3"	28.5	10	89.0	1.150
4"	32.0	13	117.5	2.500

Dimensions in mm  
 (1) CAUTIONARY NOTE REGARDING HEX HEAD BUSHINGS. Hex Head Bushings of one-size reductions should not be used in services wherein they might be subject to harmful loads and forces other than internal pressures. Bushings are not identified by Pressure Class. They may be used for ratings up to Pressure Class 6000.