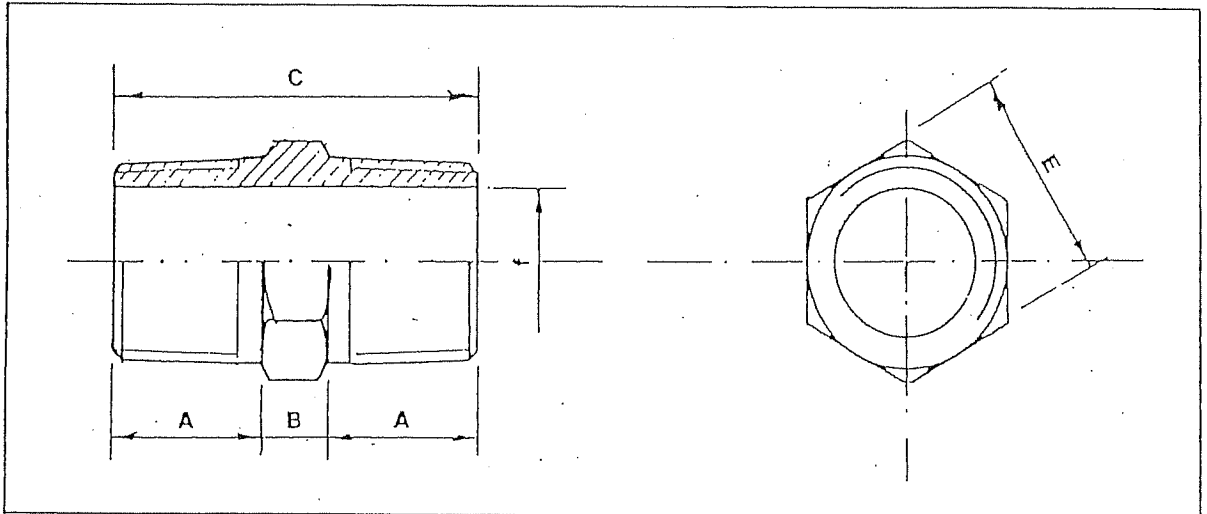


Hexagonal Nipples to BS 3799

Threaded to ANSI B2.1



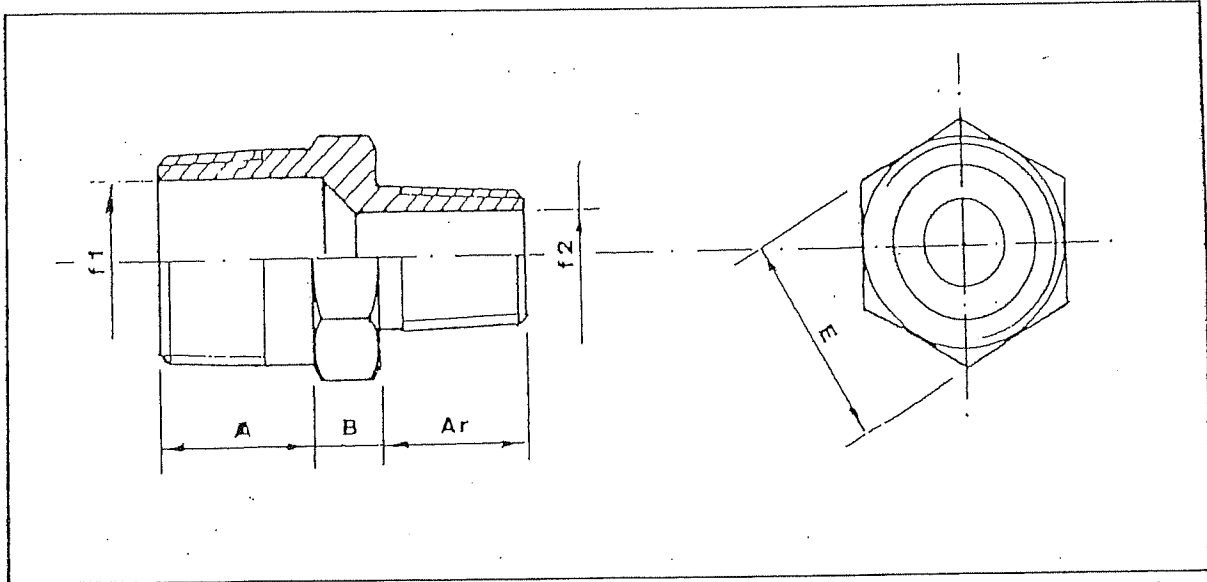
ND	Common sizes				3000 lbs (1)		6000 lbs (1)	
					f		f	
	A	B	C	E	sch. 80	Weight Kg.	sch. 160	Weight Kg.
1/8"	10	6	26	11	5.5	0.015	4.0	0.020
1/4"	15	6	36	15	7.7	0.030	6.4	0.035
3/8"	16	8	40	18	10.7	0.045	9.1	0.055
1/2"	20	8	48	22	13.9	0.070	11.8	0.100
3/4"	21	10	52	27	18.8	0.105	15.6	0.160
1"	25	10	60	35	24.3	0.180	20.7	0.280
1 1/4"	26	14	66	44	32.5	0.290	29.5	0.450
1 1/2"	26	16	68	50	38.1	0.355	34.0	0.560
2"	27	17	71	62	49.3	0.530	42.9	0.870
2 1/2"	40	19	99	75	59.0	1.050	54.0	1.630
3"	42	20	104	90	73.7	1.650	66.6	2.600
4"	46	22	114	117	97.2	2.550	87.1	4.200

Dimensions in mm

(1) Standard production: 3000 lbs = sch. 80

6000 lbs = sch. 160

Hexagonal Reducing Nipples to BS 3799 Threaded to ANSI B 2.1



ND x REDUC	A min.	Ar min.	B min.	E min.	3000 lbs			6000 lbs		
					f1	f2	Weight	f1	f2	Weight
					sch 80	sch 80	Kilos	sch 160	sch 160	Kilos
1/4" x 1/8"	15	10	6	15	7.7	5.5	0.030	6.4	4.0	0.035
3/8" x 1/4"	16	15	8	18	10.7	7.7	0.045	9.1	6.4	0.050
3/8" x 1/8"	16	10	8	18	10.7	5.5	0.040	9.1	4.0	0.045
1/2" x 3/8"	20	16	8	22	13.9	10.7	0.060	11.8	9.1	0.080
1/2" x 1/4"	20	15	8	22	13.9	7.7	0.060	11.8	6.4	0.075
3/4" x 1/2"	21	20	9	27	18.8	13.9	0.100	15.6	11.8	0.145
3/4" x 3/8"	21	16	9	27	18.8	10.7	0.090	15.6	9.1	0.125
3/4" x 1/4"	21	15	9	27	18.8	7.7	0.090	15.6	6.4	0.120
1" x 3/4"	25	21	10	35	24.3	18.8	0.165	20.7	15.6	0.250
1" x 1/2"	25	20	10	35	24.3	13.9	0.160	20.7	11.8	0.230
1" x 3/8"	25	16	10	35	24.3	10.7	0.150	20.7	9.1	0.210
1" x 1/4"	25	15	10	35	24.3	7.7	0.150	20.7	6.4	0.205
1 1/4" x 1"	26	25	14	44	32.5	24.3	0.285	29.5	20.7	0.420
1 1/4" x 3/4"	26	21	14	44	32.5	18.8	0.270	29.5	15.6	0.385
1 1/4" x 1/2"	26	20	14	44	32.5	13.9	0.265	29.5	11.8	0.370
1 1/2" x 1 1/4"	26	26	16	50	38.1	32.5	0.350	34.0	29.5	0.545
1 1/2" x 1"	26	25	16	50	38.1	24.3	0.350	34.0	20.7	0.540
1 1/2" x 3/4"	26	21	16	50	38.1	18.8	0.340	34.0	15.6	0.480
1 1/2" x 1/2"	26	20	16	50	38.1	13.9	0.335	34.0	11.8	0.460
2" x 1 1/2"	27	26	17	62	49.3	38.1	0.525	42.9	34.0	0.810
2" x 1 1/4"	27	26	17	62	49.3	32.5	0.525	42.9	29.5	0.800
2" x 1"	27	25	18	62	49.3	24.3	0.525	42.9	20.7	0.760
2" x 3/4"	27	21	17	62	49.3	18.8	0.515	42.9	15.6	0.720
2" x 1/2"	27	20	18	62	49.3	13.9	0.510	42.9	11.8	0.700
2 1/2" x 2"	40	27	19	75	59.0	49.3	0.950	54.0	42.9	1.400
2 1/2" x 1 1/2"	40	26	19	75	59.0	38.1	0.950	54.0	34.0	1.350
2 1/2" x 1 1/4"	40	26	19	75	59.0	32.5	0.950	54.0	29.5	1.350
2 1/2" x 1"	40	25	19	75	59.0	24.3	0.950	54.0	20.7	1.300
3" x 2 1/2"	42	40	20	90	73.7	59.0	1.620	66.6	54.0	2.400
3" x 2"	42	27	20	90	73.7	49.3	1.500	66.6	42.9	2.200
3" x 1 1/2"	42	26	20	90	73.7	38.1	1.500	66.6	34.0	2.150
3" x 1 1/4"	42	26	20	90	73.7	32.5	1.500	66.6	29.5	2.150

Dimensions in mm

Note: Normal Production sizes f1-f2: 3000 lbs = sch 80
6000 lbs = sch 160;