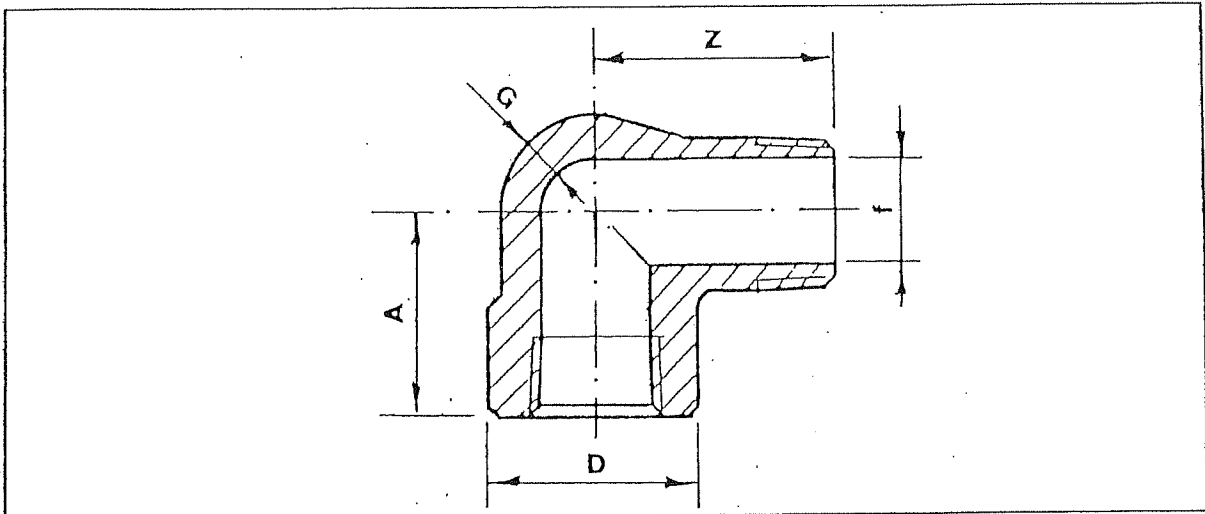


Street Elbows M/F

Threaded to ANSI B 2.1



ND	A	D	f	G	Z	Weight Kilos/Each
3000 lbs						
1/8"	21	22	acc. to manufacturers standard	3.0	28.5	0.100
1/4"	25	25		3.5	36.0	0.130
3/8"	29	33		3.5	40.5	0.215
1/2"	33	38		4.0	48.0	0.330
3/4"	38	46		4.5	53.5	0.540
1"	44	56		5.0	64.0	0.970
1 1/4"	51	62		5.5	68.0	1.100
1 1/2"	60	75		5.5	77.0	1.940
2"	64	84		7.0	82.0	2.340
2 1/2"	83	102		7.5	107.0	5.000
3"	95	121		9.0	120.0	6.800
4"	114	152	11.0	141.0	12.500	
6000 lbs						
1/8"	25	25	acc. to manufacturers standard	6.5	36.0	0.130
1/4"	29	33		6.5	40.5	0.210
3/8"	33	38		7.0	48.0	0.330
1/2"	38	46		8.0	53.5	0.540
3/4"	44	56		8.5	64.0	0.970
1"	51	62		10.0	68.0	1.100
1 1/4"	60	75		10.5	77.0	1.940
1 1/2"	64	84		11.0	82.0	2.340
2"	83	102		12.0	107.0	5.000

Dimensions in mm

NOTE: in normal production : f 3000 Lbs = sch 80

f 6000 Lbs = sch 160