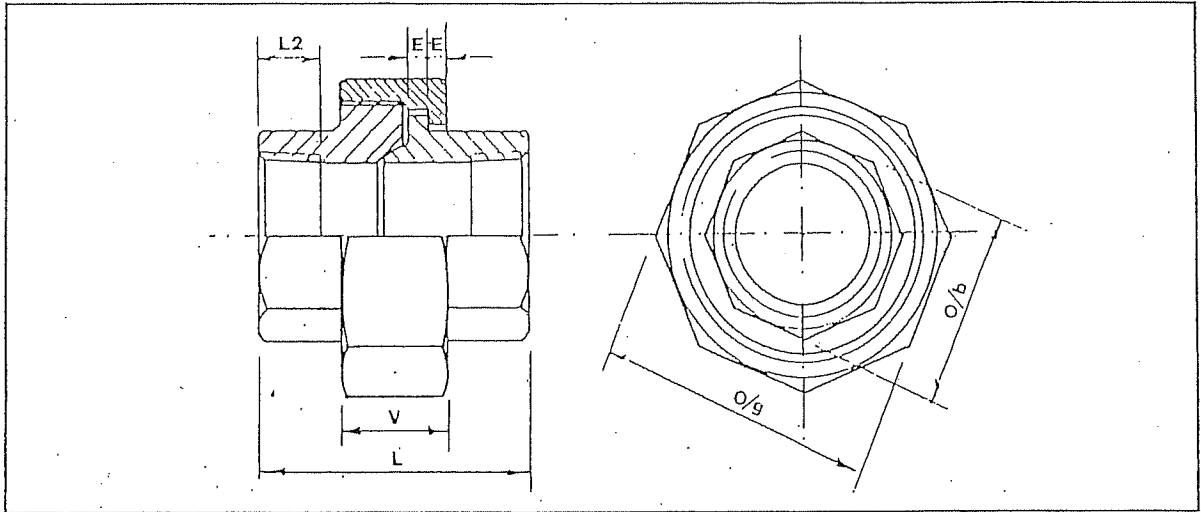


Unions to BS 3799

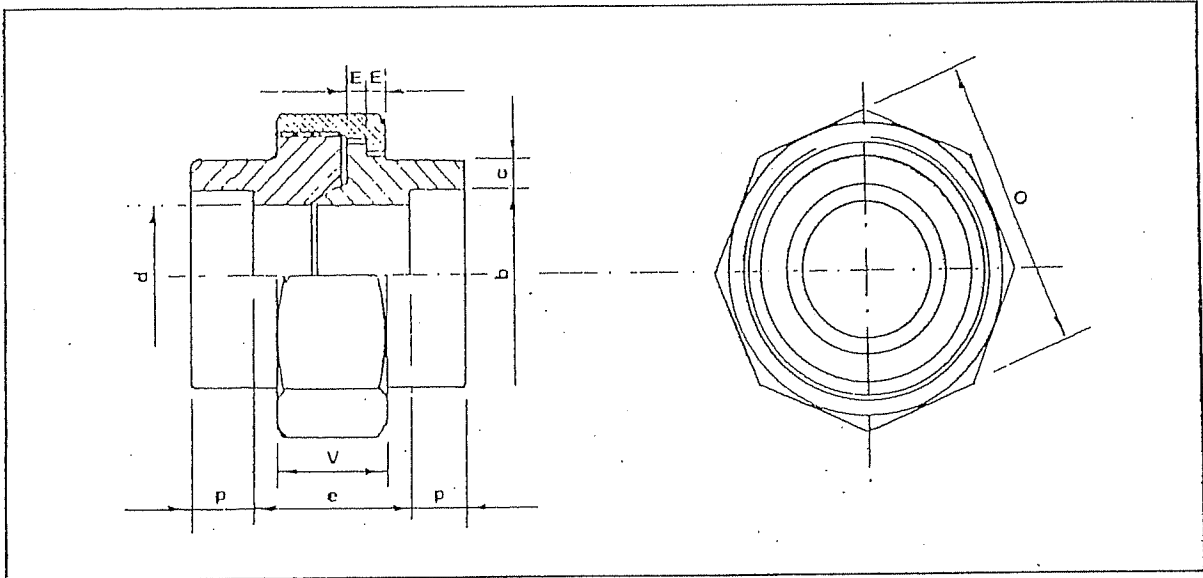
Threaded to ANSI B2.1



ND	E min.	L	O/g min.	O/b min.	V min.	L2 min.	Weight Kilos / Each
3000 lbs							
1/8"	3.2	40	32	17	16	6.5	0.165
1/4"	3.2	43	32	19	18	10.0	0.165
3/8"	3.2	48	36	22	19	10.5	0.240
1/2"	4.0	51	43	30	21	13.5	0.340
3/4"	4.8	57	50	36	24	14.0	0.430
1"	4.8	64	60	41	25	17.5	0.660
1 1/4"	5.6	70	70	50	29	18.0	1.100
1 1/2"	5.6	79	78	60	30	18.5	1.550
2"	6.4	89	95	70	37	19.0	2.250
2 1/2"	9.6	118	125	85	48	29.0	4.700
3"	12.7	121	140	100	51	30.5	6.400
4"	13.5	144	180	130	58	33.0	12.000
6000 lbs							
1/8"	4.0	51	40	23.0	19.0	6.5	0.350
1/4"	4.0	53	44	25.0	21.5	10.0	0.350
3/8"	4.5	56	49	29.5	24.0	10.5	0.470
1/2"	5.0	68	62	37.0	27.0	13.5	0.880
3/4"	6.0	72	68	43.0	31.0	14.0	1.150
1"	7.0	79	84	55.0	35.0	17.5	2.000
1 1/4"	8.0	88	92	62.0	38.0	18.0	2.500
1 1/2"	9.0	98	100	70.0	41.0	18.5	3.250
2"	10.0	112	122	85.0	45.0	19.0	5.350
2 1/2"	11.0	128	144	101.0	51.0	29.0	8.400
3"	13.0	148	172	120.0	59.0	30.5	13.250
4"	16.0	178	215	150.0	70.0	33.0	24.000
Dimensions in mm							

Unions to BS 3799

Socket Weld to ANSI B16.11

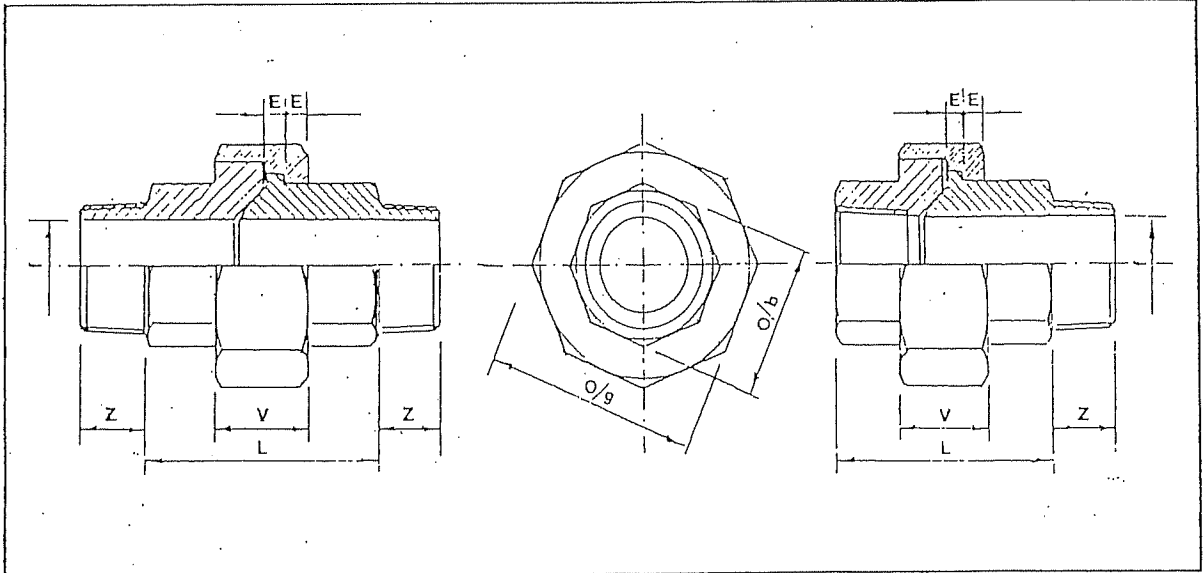


ND	b min.	c min.	d average	e average	E min.	O min.	P min.	V min.	Weight Kilos / Each
3000 lbs									
1/8"	10.65	3.20	6.85	18.5	3.2	32	10	16	0.170
1/4"	14.10	3.30	9.25	18.5	3.2	32	10	18	0.170
3/8"	17.55	3.50	12.55	20.0	3.2	36	10	19	0.250
1/2"	21.70	4.10	15.80	21.0	4.0	41	10	21	0.330
3/4"	27.05	4.30	20.95	23.0	4.8	50	13	24	0.430
1"	33.80	5.00	26.65	30.0	4.8	60	13	25	0.670
1 1/4"	42.55	5.30	35.05	32.0	5.6	70	13	29	1.150
1 1/2"	48.65	5.60	40.90	34.0	5.6	78	13	30	1.550
2"	61.10	6.10	52.50	40.0	6.4	95	16	37	2.300
2 1/2"	73.80	7.70	62.70	62.0	9.6	125	16	48	5.100
3"	89.80	8.30	77.95	75.0	12.7	140	16	51	6.900
4"	115.45	9.35	102.25	88.0	13.5	180	19	58	12.500
6000 lbs									
1/8"	10.65	3.45	4.00	31	4.0	40	10	19.0	0.340
1/4"	14.10	4.00	6.35	33	4.0	44	10	21.5	0.340
3/8"	17.55	4.35	9.15	34	4.5	49	10	24.0	0.460
1/2"	21.70	5.20	11.75	43	5.0	62	10	27.0	0.850
3/4"	27.05	6.05	15.55	44	6.0	68	13	31.0	1.150
1"	33.80	6.95	20.70	47	7.0	84	13	35.0	1.900
1 1/4"	42.55	6.95	29.45	53	8.0	92	13	38.0	2.450
1 1/2"	48.65	7.80	33.95	60	9.0	100	13	41.0	3.230
2"	61.10	9.50	42.85	68	10.0	122	16	45.0	5.500
2 1/2"	73.80	10.40	54.00	80	11.0	144	16	51.0	8.400
3"	89.80	12.20	66.65	97	13.0	172	16	59.0	13.500

Dimensions in mm

Unions M/M - Unions M/F

Threaded to ANSI B2.1



ND	f sch. 80	Z	E min.	L	O/g min.	O/b min.	V min.	Weight Kilos/ Each	
								M/M	M/F
3000 lbs									
1/4"	7.7	18.5	3.2	43	32	19	18	0.205	0.185
3/8"	10.7	19.0	3.2	48	36	22	19	0.290	0.265
1/2"	13.9	23.5	4.0	51	43	30	21	0.440	0.390
3/4"	18.8	24.0	4.8	57	50	36	24	0.590	0.510
1"	24.3	28.5	4.8	64	60	41	25	0.900	0.780
1 1/4"	32.5	29.0	5.6	70	70	50	29	1.420	1.260
1 1/2"	38.1	30.0	5.6	79	78	60	30	1.990	1.770
2"	49.2	31.0	6.4	89	95	70	37	2.950	2.600
6000 lbs									
	sch. 160								
1/4"	6.3	18.5	4.0	53	44	25.0	21.5	0.390	0.370
3/8"	9.1	19.0	4.5	56	49	29.5	24.0	0.520	0.495
1/2"	11.8	23.5	5.0	68	62	37.0	27.0	0.980	0.930
3/4"	15.5	24.0	6.0	72	68	43.0	31.0	1.310	1.230
1"	20.7	28.5	7.0	79	84	55.0	35.0	2.240	2.120
1 1/4"	29.4	29.0	8.0	88	92	62.0	38.0	2.820	2.660
1 1/2"	34.0	30.0	9.0	98	100	70.0	41.0	3.690	3.470
2"	42.8	31.0	10.0	112	122	85.0	45.0	6.050	5.700

Dimensions in mm

Standard production: f sch. 80 for 3000 Lbs

f sch. 160 FOR 6000 Lbs