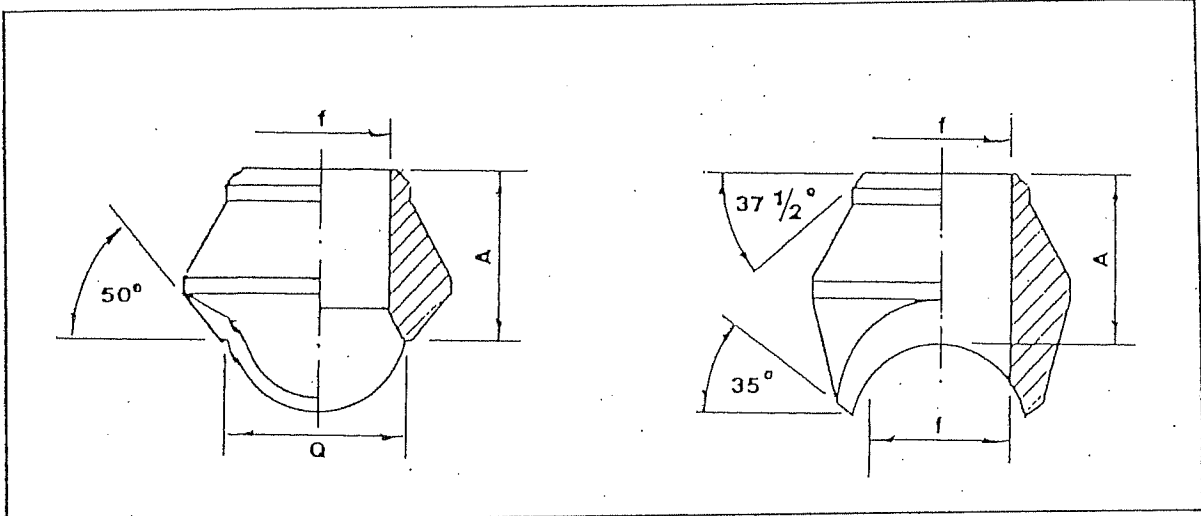


Weldolets, schedule XS

ANSI B31.3

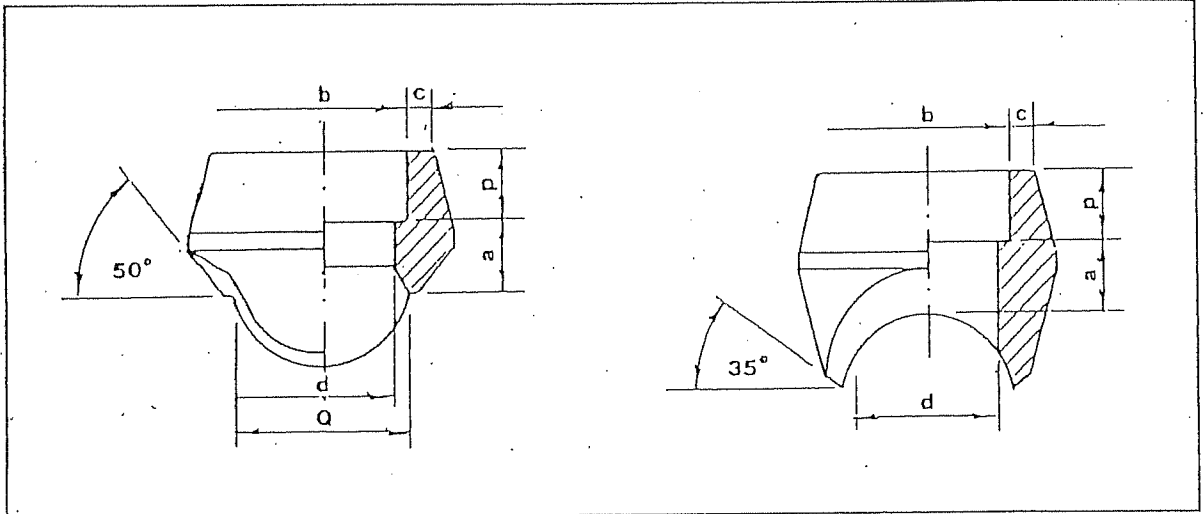


ND	Schedule XS			
	A	f (1)	Q	Weight Kilos/ Each
1/2"	19.05	13.9	23.81	0.07
3/4"	22.23	18.8	30.16	0.11
1"	25.40	24.3	36.51	0.18
1 1/4"	31.75	32.5	44.45	0.32
1 1/2"	31.75	38.1	50.80	0.41
2"	38.10	49.2	65.09	0.73
2 1/2"	41.28	59.0	76.20	1.13
3"	47.60	73.7	93.66	1.86
3 1/2"	50.80	85.4	101.60	2.30
4"	52.40	97.2	120.65	3.00

Dimensions in mm
 (1): f = outside pipe Ø - 2x wall thickness

Socketlets, 3000 Lbs

ANSI B31.3

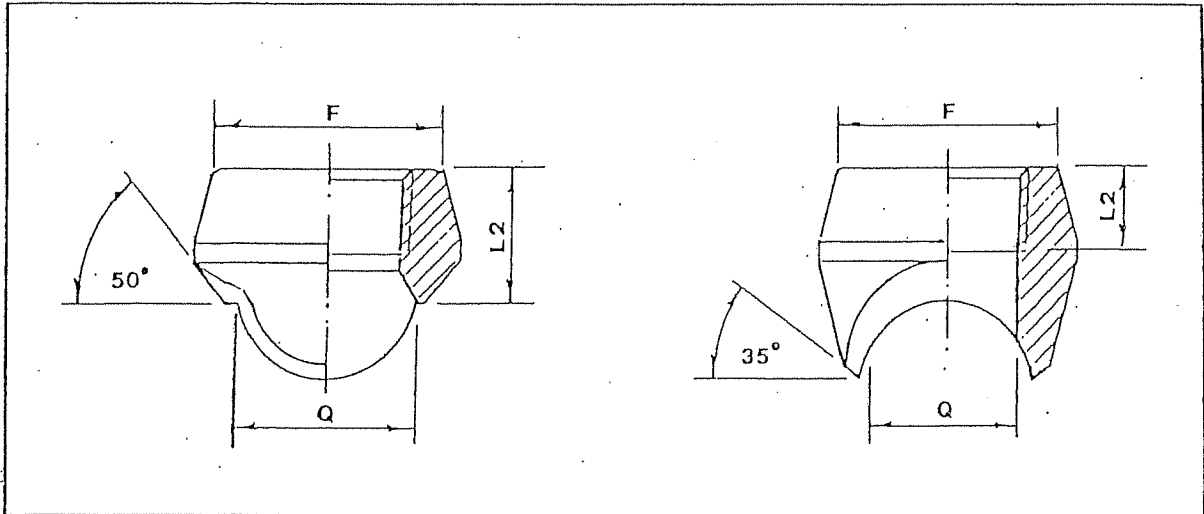


ND	a	b min.	c min.	d	p min.	Q	Weight Kilos/ Each
1/2"	15.90	21.80	4.10	14.00	10	23.81	0.14
3/4"	14.29	27.40	4.30	19.00	13	30.16	0.15
1"	20.63	34.10	5.00	25.00	13	36.51	0.27
1 1/4"	20.63	42.55	5.30	33.00	13	44.45	0.39
1 1/2"	22.23	49.00	5.60	38.00	13	50.80	0.47
2"	22.22	61.00	6.10	50.00	16	65.09	0.85
2 1/2"	30.16	73.80	7.70	59.00	16	76.20	1.02
3"	34.92	89.70	8.30	74.00	16	93.70	1.70
4"	38.10	115.44	9.35	98.00	19	120.65	2.99

Dimensions in mm
 Note: 3000 lbs fittings are to be used with std and xs pipe through 4" outlet size

Threadolet, 3000 Lbs

ANSI B31.3



ND	A	F	L2 min.	Q	Weight Kilos/Each
1/2"	25.40	31.75	13.56	23.81	0.11
3/4"	26.99	36.51	13.86	30.16	0.17
1"	33.33	46.04	17.34	36.51	0.28
1 1/4"	33.33	55.56	17.95	44.45	0.41
1 1/2"	34.93	61.91	18.38	50.80	0.45
2"	38.10	74.61	19.22	65.09	0.93
2 1/2"	46.04	87.31	28.29	76.20	1.13
3"	50.80	104.80	30.48	93.70	1.95
4"	57.15	130.18	33.02	120.65	3.08

Dimensions in mm
 Note: 3000 lbs fittings are to be used with std and xs pipe through 4" outlet size