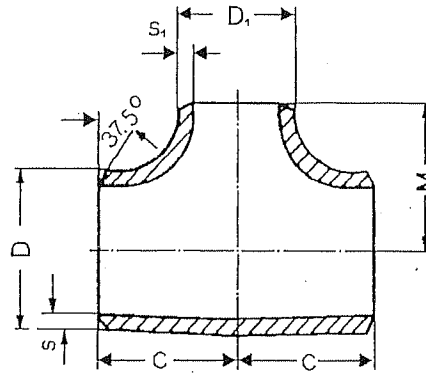


Reducing outlet tees

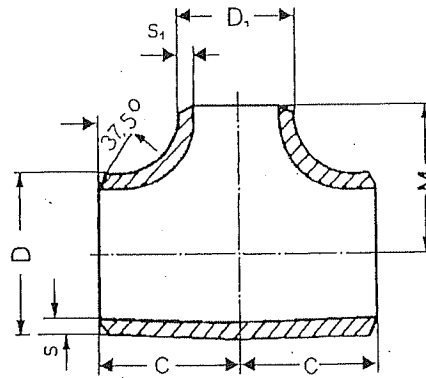
ANSI B16.9



nominal pipe size D x D1	dimensions of run			dimensions of branch			center to end		weight kg.	
	outside diameter D	wall thickness s		outside diameter D1	wall thickness s1				STD	XS
		STD	XS		STD	XS				
1/2" x 1/4"	21.34	2.77	3.73	13.70	2.24	3.02	25	25	0.104	0.122
1/2" x 3/8"	21.34	2.77	3.73	17.10	2.31	3.20	25	25	0.104	0.127
3/4" x 3/8"	26.67	2.87	3.91	17.10	2.31	3.20	25	25	0.150	0.186
3/4" x 1/2"	26.67	2.87	3.91	21.34	2.77	3.73	25	25	0.154	0.191
1" x 3/8"	33.50	3.38	4.55	17.10	2.31	3.20	25	25	0.290	0.358
1" x 1/2"	33.50	3.38	4.55	21.34	2.77	3.73	25	25	0.290	0.358
1" x 3/4"	33.50	3.38	4.55	26.67	2.87	3.91	25	25	0.295	0.363
1 1/4" x 1/2"	42.16	3.56	4.85	21.34	2.77	3.73	25	25	0.499	0.621
1 1/4" x 3/4"	42.16	3.56	4.85	26.67	2.87	3.91	25	25	0.503	0.626
1 1/4" x 1"	42.16	3.56	4.85	33.50	3.38	4.55	25	25	0.531	0.658
1 1/2" x 1/2"	48.26	3.68	5.08	21.34	2.77	3.73	25	25	0.730	0.916
1 1/2" x 3/4"	48.26	3.68	5.08	26.67	2.87	3.91	25	25	0.730	0.921
1 1/2" x 1"	48.26	3.68	5.08	33.50	3.38	4.55	25	25	0.762	0.948
1 1/2" x 1 1/4"	48.26	3.68	5.08	42.16	3.56	4.85	25	25	0.798	0.998
2" x 3/4"	60.33	3.91	5.54	26.67	2.87	3.91	64	44	1.09	1.41
2" x 1"	60.33	3.91	5.54	33.50	3.38	4.55	64	51	1.12	1.44
2" x 1 1/4"	60.33	3.91	5.54	42.16	3.56	4.85	64	57	1.16	1.48
2" x 1 1/2"	60.33	3.91	5.54	48.26	3.68	5.08	64	60	1.21	1.54

Reducing outlet tees

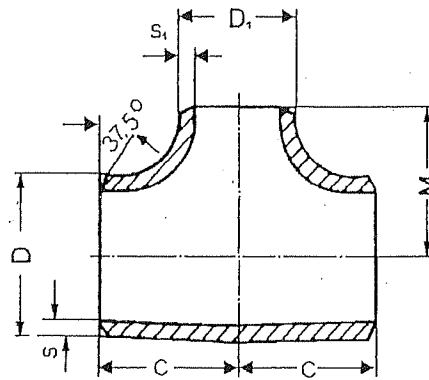
ANSI B16.9



nominal pipe size D x D1	dimensions of run			dimensions of branch			center to end		weight kg.	
	outside diameter D	wall thickness s		outside diameter D1	wall thickness s1				STD	XS
		STD	XS		STD	XS	C	M		
2 1/2" x 1"	73.03	5.16	7.01	33.50	3.38	4.55	76	57	1.96	2.48
2 1/2" x 1 1/4"	73.03	5.16	7.01	42.16	3.56	4.85	76	64	1.99	2.51
2 1/2" x 1 1/2"	73.03	5.16	7.01	48.26	3.68	5.08	76	67	2.04	2.57
2 1/2" x 2"	73.03	5.16	7.01	60.33	3.91	5.54	76	70	2.08	2.61
3" x 1"	88.90	5.49	7.62	33.50	3.38	4.55	86	67	2.85	3.68
3" x 1 1/4"	88.90	5.49	7.62	42.16	3.56	4.85	86	70	2.88	3.71
3" x 1 1/2"	88.90	5.49	7.62	48.26	3.68	5.08	86	73	2.92	3.76
3" x 2"	88.90	5.49	7.62	60.33	3.91	5.54	86	76	2.95	3.79
3" x 2 1/2"	88.90	5.49	7.62	73.03	5.16	7.01	86	83	3.09	3.90
3 1/2" x 1 1/2"	101.6	5.74	8.08	48.26	3.68	5.08	95	79	3.85	5.03
3 1/2" x 2"	101.6	5.74	8.08	60.33	3.91	5.54	95	83	3.85	5.08
3 1/2" x 2 1/2"	101.6	5.74	8.08	73.03	5.16	7.01	95	89	3.99	5.22
3 1/2" x 3"	101.6	5.74	8.08	88.90	5.49	7.62	95	92	4.09	5.31
4" x 1 1/2"	114.3	6.02	8.56	48.26	3.68	5.08	105	86	4.94	6.53
4" x 2"	114.3	6.02	8.56	60.33	3.91	5.54	105	89	4.99	6.58
4" x 2 1/2"	114.3	6.02	8.56	73.03	5.16	7.01	105	95	5.13	6.67
4" x 3"	114.3	6.02	8.56	88.90	5.49	7.62	105	98	5.17	6.80
4" x 3 1/2"	114.3	6.02	8.56	101.6	5.74	8.08	105	102	5.26	6.94

Reducing outlet tees

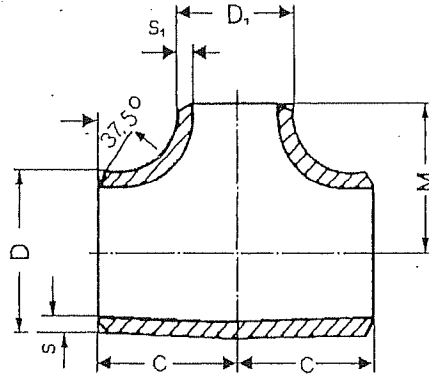
ANSI B16.9



nominal pipe size D x D1	dimensions of run			dimensions of branch			center to end		weight kg.	
	outside diameter D	wall thickness s		outside diameter D1	wall thickness s1				STD	XS
		STD	XS		STD	XS				
5" x 2"	141.3	6.55	9.53	60.33	3.91	5.54	124	105	7.80	10.6
5" x 2 1/2"	141.3	6.55	9.53	73.03	5.16	7.01	124	108	7.89	10.7
5" x 3"	141.3	6.55	9.53	88.90	5.49	7.62	124	111	7.98	10.75
5" x 3 1/2"	141.3	6.55	9.53	101.6	5.74	8.08	124	114	8.07	10.8
5" x 4"	141.3	6.55	9.53	114.3	6.02	8.56	124	117	8.21	11.0
6" x 2 1/2"	168.28	7.11	10.97	73.03	6.55	7.01	143	121	11.66	16.7
6" x 3"	168.28	7.11	10.97	88.90	7.11	7.62	143	124	11.7	16.7
6" x 3 1/2"	168.28	7.11	10.97	101.6	5.74	8.08	143	127	11.8	16.8
6" x 4"	168.28	7.11	10.97	114.3	6.02	8.56	143	130	11.9	16.9
6" x 5"	168.28	7.11	10.97	141.3	6.55	9.53	143	137	12.1	17.1
8" x 3"	219.08	8.18	12.70	88.90	5.40	7.62	178	148	21.59	31.3
8" x 3 1/2"	219.08	8.18	12.70	101.6	5.74	8.08	178	152	21.64	31.3
8" x 4"	219.08	8.18	12.70	114.3	6.02	8.56	178	156	21.7	31.4
8" x 5"	219.08	8.18	12.70	141.3	6.55	9.53	178	162	21.8	31.5
8" x 6"	219.08	8.18	12.70	168.28	7.11	10.97	178	168	22.1	31.9
10" x 4"	273.05	9.27	12.70	114.3	6.02	8.56	216	184	36.8	48.1
10" x 5"	273.05	9.27	12.70	141.3	6.55	9.53	216	191	36.9	48.1
10" x 6"	273.05	9.27	12.70	168.28	7.11	10.97	216	194	37.1	49.0

Reducing outlet tees

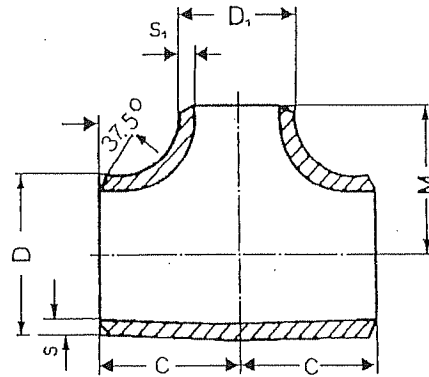
ANSI B16.9



nominal pipe size $D_1 \times D$	dimensions of run			dimensions of branch			center to end		weight kg.	
	outside diameter D	wall thickness s		outside diameter D_1	wall thickness s_1				STD	XS
		STD	XS		STD	XS				
10" x 8"	273.05	9.27	12.70	219.08	8.18	12.70	216 203	37.6	49.4	
12" x 5"	323.85	9.53	12.70	141.30	6.55	9.53	254 216	53.1	68.5	
12" x 6"	323.85	9.53	12.70	168.28	7.11	10.97	254 219	53.1	68.5	
12" x 8"	323.85	9.53	12.70	219.08	8.18	12.70	254 229	53.5	69.4	
12" x 10"	323.85	9.53	12.70	273.05	9.27	12.70	254 241	54.9	70.3	
14" x 6"	355.60	9.53	12.70	168.28	7.11	11.05	279 238	64.4	83.0	
14" x 8"	355.60	9.53	12.70	219.08	8.18	12.70	279 248	64.9	83.5	
14" x 10"	355.60	9.53	12.70	273.05	9.27	12.70	279 257	65.3	83.9	
14" x 12"	355.60	9.53	12.70	323.85	9.53	12.70	279 270	66.7	85.7	
16" x 6"	406.40	9.53	12.70	168.28	7.11	11.05	305 264	79.8	101.2	
16" x 8"	406.40	9.53	12.70	219.08	8.18	12.70	305 273	83.9	105.7	
16" x 10"	406.40	9.53	12.70	273.05	9.27	12.70	305 283	88.5	110.7	
16" x 12"	406.40	9.53	12.70	323.85	9.53	12.70	305 295	92.5	115.7	
16" x 14"	406.40	9.53	12.70	355.60	9.53	12.70	305 305	95.3	118.4	
18" x 8"	457.20	9.53	12.70	219.08	8.18	12.70	343 298	104.8	133.4	
18" x 10"	457.20	9.53	12.70	273.05	9.27	12.70	343 308	110.7	139.3	
18" x 12"	457.20	9.53	12.70	323.85	9.53	12.70	343 321	115.2	142.2	
18" x 14"	457.20	9.53	12.70	355.60	9.53	12.70	343 330	118.8	148.8	

Reducing outlet tees

ANSI B16.9



nominal pipe size D x D1	dimensions of run			dimensions of branch			center to end C M		weight kg.	
	outside diameter D	wall thickness s		outside diameter D1	wall thickness s1				STD	XS
		STD	XS		STD	XS				
18" x 16"	457.2	9.53	12.70	406.40	9.53	12.70	343	330	122.0	152.4
20" x 8"	508.0	9.53	12.70	219.08	8.18	12.70	381	324	127.9	163.7
20" x 10"	508.0	9.53	12.70	273.05	9.27	12.70	381	330	133.8	170.6
20" x 12"	508.0	9.53	12.70	323.85	9.53	12.70	381	346	139.7	176.9
20" x 14"	508.0	9.53	12.70	355.60	9.53	12.70	381	356	143.3	181.0
20" x 16"	508.0	9.53	12.70	406.40	9.53	12.70	381	356	149.2	187.3
20" x 18"	508.0	9.53	12.70	457.20	9.53	12.70	381	368	155.1	193.7
24" x 10"	609.6	9.53	12.70	273.05	9.27	12.70	432	384	178.7	227.7
24" x 12"	609.6	9.53	12.70	323.85	9.53	12.70	432	397	185.5	235.0
24" x 14"	609.6	9.53	12.70	355.60	9.53	12.70	432	406	190.1	240.0
24" x 16"	609.6	9.53	12.70	406.40	9.53	12.70	432	406	196.4	246.8
24" x 18"	609.6	9.53	12.70	457.20	9.53	12.70	432	419	205.5	255.8
24" x 20"	609.6	9.53	12.70	508.00	9.53	12.70	432	432	205.5	260.8
26" x 12"	660.4	9.53	12.70	323.85	9.53	12.70	495	422	234.1	294.4
26" x 14"	660.4	9.53	12.70	355.60	9.53	12.70	495	432	239.0	300.3
26" x 16"	660.4	9.53	12.70	406.40	9.53	12.70	495	432	246.8	310.3
26" x 18"	660.4	9.53	12.70	457.20	9.53	12.70	495	444	254.9	320.2
26" x 20"	660.4	9.53	12.70	508.00	9.53	12.70	495	457	263.5	330.2