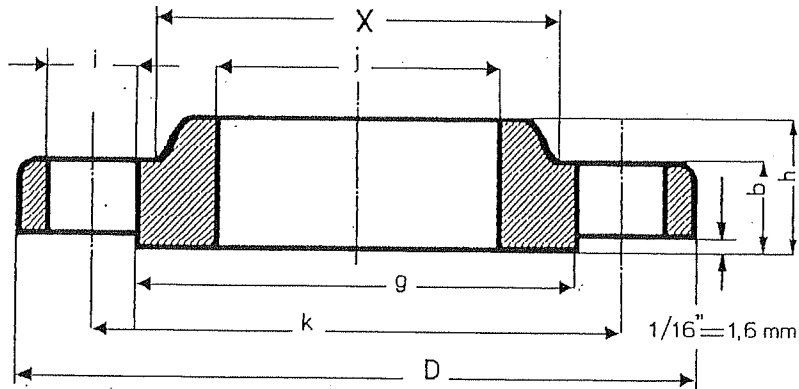


Slip-on Flanges

ANSI B16.5

150 Lbs

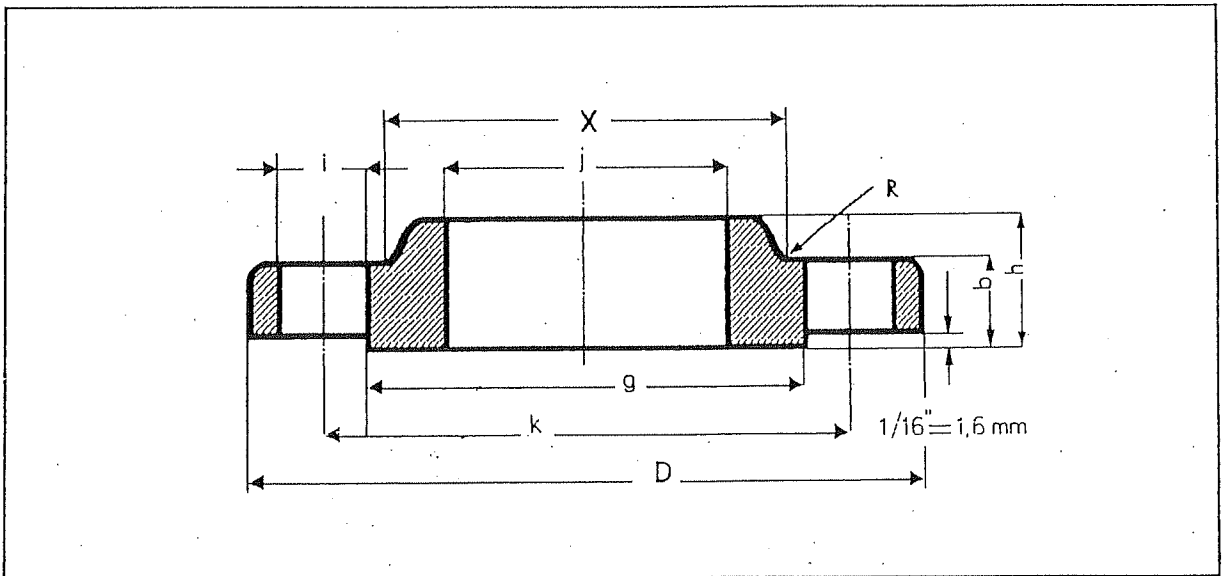


nominal pipe size	outside diam. of flange D	diam. of bore j	thickness of flange b	length tru hub h	diam. of raised face g	diam. of hub X	drilling template			stud bolts			approx. weight kilo
							diam. of bolt circle k	n° of holes	diam. of bolt holes i	diam.	length		
											1/16" raised face	ring joint	
1/2"	88.9	22.3	11.1	15.9	34.9	30.2	60.3	4	15.9	1/2	2 1/2	-	0.8
3/4"	98.4	27.7	12.7	15.9	42.9	38.1	69.8	4	15.9	1/2	2 1/2	-	0.9
1"	107.9	34.5	14.3	17.5	50.8	49.2	79.4	4	15.9	1/2	2 3/4	3 1/4	1.0
1 1/4"	117.5	43.2	15.9	20.6	63.5	58.7	88.9	4	15.9	1/2	2 3/4	3 1/4	1.3
1 1/2"	127.0	49.5	17.5	22.2	73.0	65.1	98.4	4	15.9	1/2	3	3 1/2	1.4
2"	152.4	62.0	19.0	25.4	92.1	77.6	120.6	4	19.0	5/8	3 1/4	3 3/4	2.3
2 1/2"	177.8	74.7	22.2	28.6	104.8	90.5	139.7	4	19.0	5/8	3 1/2	4	3.2
3"	190.5	90.7	23.8	30.2	127.0	107.9	152.4	4	19.0	5/8	3 3/4	4 1/4	3.6
3 1/2"	215.9	103.4	23.8	31.7	139.7	122.0	177.8	8	19.0	5/8	3 3/4	4 1/4	5.0
4"	228.6	116.1	23.8	33.3	157.2	134.9	190.5	8	19.0	5/8	3 3/4	4 1/4	5.9
5"	254.0	143.8	23.8	36.5	185.7	163.5	215.9	8	22.2	3/4	4	4 1/2	6.8
6"	279.4	170.7	25.4	39.7	215.9	192.1	241.3	8	22.2	3/4	4	4 1/2	8.6
8"	342.9	221.5	28.6	44.4	269.9	246.1	298.4	8	22.2	3/4	4 1/4	4 3/4	13.6
10"	406.4	276.3	30.2	49.2	323.8	304.8	361.9	12	25.4	7/8	4 3/4	5 1/4	19.5
12"	482.6	327.1	31.7	55.6	381.0	365.1	431.8	12	25.4	7/8	4 3/4	5 1/4	29.1
14"	533.4	359.1	34.9	57.1	412.7	400.0	476.2	12	28.6	1	5 1/4	5 3/4	38.6
16"	596.9	410.5	36.5	63.5	469.9	457.2	539.7	16	28.6	1	5 1/2	6	42.2
18"	635.0	461.8	39.7	68.3	533.4	504.8	577.8	16	31.7	1 1/8	6	6 1/2	54.5
20"	698.5	513.1	42.9	73.0	584.2	558.8	635.0	20	31.7	1 1/8	6 1/4	6 3/4	70.0
24"	812.8	615.9	47.6	82.5	692.1	663.6	749.3	20	34.9	1 1/4	7	7 1/2	95.0

Slip-on Flanges

BS 3293

150 Lbs



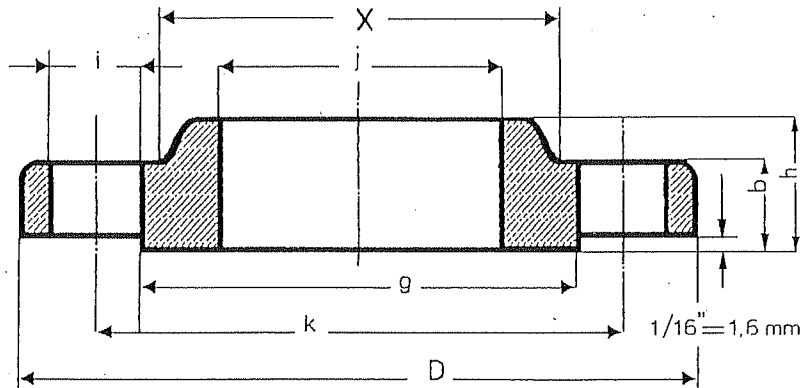
nominal pipe size	flange bore	outside diam. of flange	thickness of flange	length tru hub	diam. of raised face	diam. of hub	drilling template			studbolts		approx. weight kg
							diam. of bolt circle	n° of holes	diam. of bolt holes	diam.	length	
	J	D	b	h	g	X	K		I			
26"	666.8	869.9	50.8	85.7	742.9	724.0	806.4	24	34.9	1 1/4	6 3/4	107
28"	717.6	927.1	52.4	87.3	793.7	781.0	863.6	28	34.9	1 1/4	7	122
30"	768.4	984.2	54.0	88.9	857.2	831.9	914.4	28	34.9	1 1/4	7	138
32"	819.2	1060.4	57.1	92.1	908.0	889.0	977.9	28	41.3	1 1/2	7 3/4	170
34"	870.0	1111.2	58.7	93.6	958.8	939.8	1028.7	32	41.3	1 1/2	8	184
36"	920.8	1168.4	60.3	95.2	1022.3	997.0	1085.8	32	41.3	1 1/2	8	211
38"	971.6	1238.2	60.3	95.2	1073.1	1060.0	1149.3	32	41.3	1 1/2	8	249
40"	1022.4	1289.0	63.5	98.4	1123.9	1111.0	1200.1	36	41.3	1 1/2	8 1/4	272
42"	1073.2	1346.2	66.7	101.6	1193.8	1168.4	1257.3	36	41.3	1 1/2	8 1/2	313
44"	1124.0	1403.3	66.7	101.6	1244.6	1219.2	1314.4	40	41.3	1 1/2	8 1/2	331
46"	1174.8	1454.1	68.3	103.2	1295.4	1270.0	1365.2	40	41.3	1 1/2	8 3/4	349
48"	1225.6	1511.1	69.8	104.8	1358.9	1327.1	1422.4	44	41.3	1 1/2	8 3/4	381

R = same as for WN BS 3293 150 Lbs

Slip-on Flanges

ANSI B16.5

300 Lbs

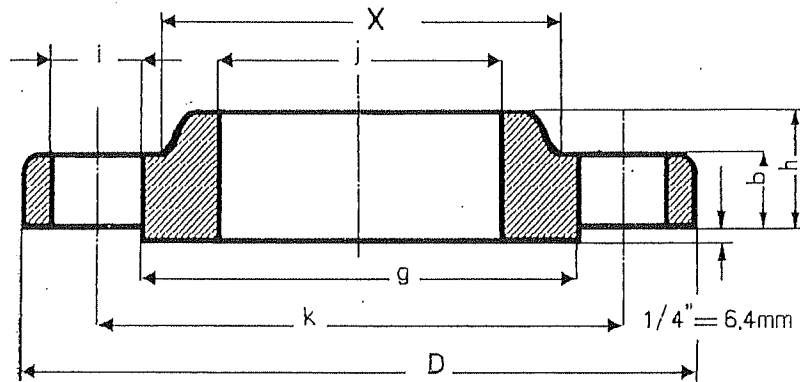


nominal pipe size	outside diam. of flange D	diam. of bore j	thickness of flange b	length thru hub h	diam. of raised face g	diam. of hub X	drilling template			stud bolts			approx. weight kilo
							diam. of bolt circle k	n° of holes	diam. of bolt holes i	diam.	length		
											1/16" raised face	ring joint	
1/2"	95.2	22.3	14.3	22.2	34.9	38.1	66.7	4	15.9	1/2	2 3/4	3	1.2
3/4"	117.5	27.7	15.9	25.4	42.9	47.6	82.5	4	19.0	5/8	3	3 1/2	1.3
1"	123.8	34.5	17.5	27.0	50.8	54.8	88.9	4	19.0	5/8	3 1/4	3 3/4	1.4
1 1/4"	133.3	43.2	19.0	27.0	63.5	63.5	98.4	4	19.0	5/8	3 1/4	3 3/4	1.8
1 1/2"	155.6	49.5	20.6	30.2	73.0	69.8	114.3	4	22.2	3/4	3 3/4	4 1/4	2.7
2"	165.1	62.0	22.2	33.3	92.1	84.1	127.0	8	19.0	5/8	3 1/2	4 1/4	3.2
2 1/2"	190.5	74.7	25.4	38.1	104.8	100.0	149.3	8	22.2	3/4	4	4 3/4	4.5
3"	209.5	90.7	28.6	42.9	127.0	117.5	168.3	8	22.2	3/4	4 1/4	5	5.9
3 1/2"	228.6	103.4	30.2	44.4	139.7	133.3	184.1	8	22.1	3/4	4 1/2	5 1/4	7.7
4"	254.0	116.1	31.7	47.6	157.2	146.0	200.0	8	22.2	3/4	4 1/2	5 1/4	10.0
5"	279.4	143.8	34.9	50.8	185.7	177.8	234.9	8	22.2	3/4	4 3/4	5 1/2	12.7
6"	317.5	170.7	36.5	52.4	215.9	206.4	269.9	12	22.2	3/4	5	5 3/4	17.2
8"	381.0	221.5	41.3	61.9	269.9	260.3	330.2	12	25.4	7/8	5 1/2	6 1/4	26.3
10"	444.5	276.3	47.6	66.7	323.8	320.7	387.3	16	28.6	1	6 1/4	7	36.8
12"	520.7	327.1	50.8	73.0	381.0	374.6	450.8	16	31.7	1 1/8	6 3/4	7 1/2	52.0
14"	584.2	359.1	54.0	76.2	412.7	426.4	514.3	20	31.7	1 1/8	7	7 3/4	74.0
16"	647.7	410.5	57.1	82.5	469.9	482.6	571.5	20	34.9	1 1/4	7 1/2	8 1/4	100.0
18"	711.2	461.8	60.3	88.9	533.4	533.4	628.6	24	34.9	1 1/4	7 3/4	8 1/2	127.0
20"	774.7	513.1	63.5	95.2	584.2	587.4	685.8	24	34.9	1 1/4	8 1/4	9	148.0
24"	914.4	615.9	69.8	106.4	692.1	701.7	812.8	24	41.3	1 1/2	9 1/4	10 1/4	222.0

Slip-on Flanges

ANSI B16.5

600 Lbs



nominal pipe size	outside diam. of flange D	diam. of bore j	thickness of flange b	length thru hub h	diam. of raised face g	diam. of hub X	drilling template			stud bolts			approx. weight kilo
							diam. of bolt circle k	n° of holes	diam. of bolt holes i	diam.	length		
											1/4" raised face	ring joint	
1/2"	95.2	22.3	14.3	22.2	34.9	38.1	66.7	4	15.9	1/2	3 1/4	3	1.3
3/4"	117.5	27.7	15.9	25.4	42.9	47.6	82.5	4	19.0	5/8	3 1/2	3 1/2	1.4
1"	123.8	34.5	17.5	27.0	50.8	54.0	88.9	4	19.0	5/8	3 3/4	3 3/4	1.8
1 1/4"	133.3	43.2	20.6	28.6	63.5	63.9	98.4	4	19.0	5/8	4	4	2.7
1 1/2"	155.6	49.5	22.2	31.7	73.0	69.8	114.3	4	22.2	3/4	4 1/4	4 1/4	3.2
2"	165.1	62.0	25.4	36.5	92.1	84.1	127.0	8	19.0	5/8	4 1/4	4 1/2	4.1
2 1/2"	190.5	74.7	28.6	41.3	104.8	100.0	149.2	8	22.2	3/4	4 3/4	5	5.9
3"	209.5	90.7	31.7	46.0	127.0	117.5	168.3	8	22.1	3/4	5	5 1/4	7.3
3 1/2"	228.6	103.4	34.9	49.2	139.7	133.3	184.1	8	25.4	7/8	5 1/2	5 3/4	9.5
4"	273.0	116.1	38.1	54.0	157.2	152.4	215.9	8	25.4	7/8	5 3/4	6	16.8
5"	330.2	143.8	44.4	60.3	185.7	188.9	266.7	8	28.6	1	6 1/2	6 3/4	28.6
6"	355.6	170.7	47.6	66.7	215.9	222.2	292.1	12	28.6	1	6 3/4	7	36.0
8"	419.1	221.5	55.6	76.2	269.9	273.0	349.2	12	31.7	1 1/8	7 3/4	7 3/4	52.0
10"	508.0	276.3	63.5	85.7	323.8	342.9	431.8	16	34.9	1 1/4	8 1/2	8 3/4	80.0
12"	558.8	327.1	66.7	92.1	381.0	400.0	488.9	20	34.9	1 1/4	8 3/4	9	98.0
14"	603.2	359.1	69.8	93.7	412.7	431.8	527.0	20	38.1	1 3/8	9 1/4	9 1/2	118.0
16"	685.8	410.5	76.2	106.4	469.9	495.2	603.2	20	41.3	1 1/2	10	10 1/4	166.0
18"	742.9	461.8	82.5	117.5	533.4	546.1	654.0	20	44.4	1 5/8	10 3/4	11	216.0
20"	812.8	513.1	88.9	127.0	584.2	669.6	723.9	24	44.4	1 5/8	11 1/2	11 3/4	278.0
24"	939.8	615.9	101.6	139.7	692.1	717.5	838.2	24	50.8	1 7/8	13	13 1/4	398.0

