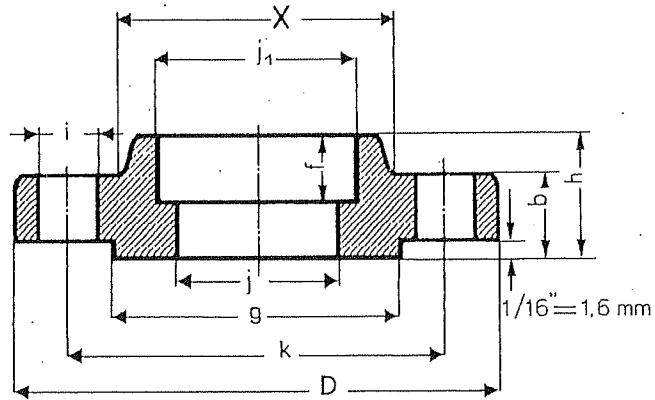


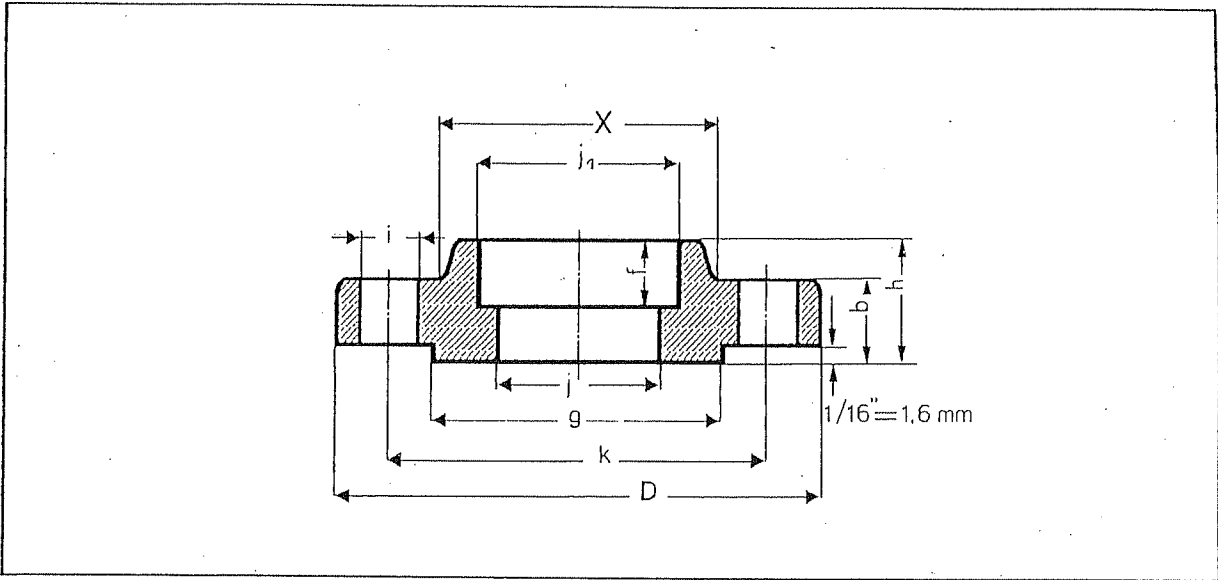
# Socket Welding Flanges ANSI B16.5 150 Lbs



nominal pipe size	outside diam. of flange D	diam. of bore j	diam. of socket j1	tickn. of flange b	length thru hub h	diam. of raised face g	diam. of hub X	depth of socket f	Stud Bolts				approx. weight kilo
									N° of holes	diam	length		
											1/16" raised face	ring joint	
1/2"	88.9	15.7	22.3	11.1	15.9	34.9	30.2	9.5	4	1/2	2 1/2	-	0.8
3/4"	98.4	20.8	27.7	12.7	15.9	42.9	38.1	11.1	4	1/2	2 1/2	-	0.9
1"	107.9	26.7	34.5	14.3	17.5	50.8	49.2	12.7	4	1/2	2 3/4	3 1/4	1
1 1/4"	117.5	35.1	43.2	15.9	20.6	63.5	58.7	14.3	4	1/2	2 3/4	3 1/4	1.8
1 1/2"	127.0	40.9	49.5	17.5	22.2	73.0	65.1	15.9	4	1/2	3	3 1/2	1.4
2"	152.4	52.6	62.0	19.0	25.4	92.1	77.6	17.5	4	5/8	3 1/4	3 3/4	2.3
2 1/2"	177.8	62.7	74.7	22.2	28.6	104.8	90.5	19.0	4	5/8	3 1/2	4	3.2

NOTE: dimensions l & k identical to other 150 Lbs flanges ANSI B 16.5

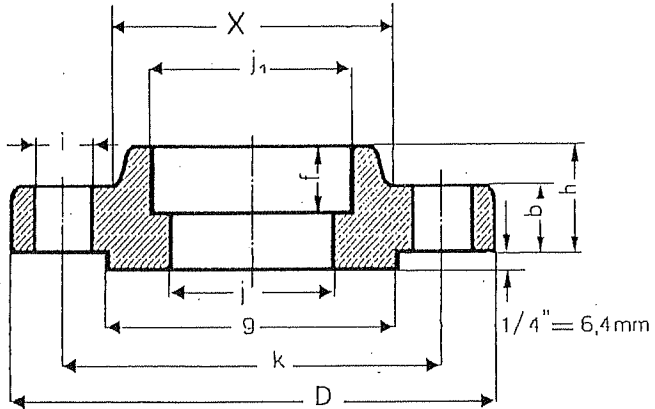
# Socket Welding Flanges    ANSI B16.5    300 Lbs



nominal pipe size	outside diam. of flange  D	diam. of bore  j	diam. of socket  j1	thickn. of flange  b	length thru hub  h	diam. of raised face  g	diam. of hub  X	depth of socket  f	Stud Bolts				approx. weight kilo
									N° of holes	diam	length		
											1/16'' raised face	ring joint	
1/2''	95.2	15.7	22.3	14.3	22.2	34.9	38.1	9.5	4	1/2	2 3/4	3	1.2
3/4''	117.5	20.8	27.7	15.9	25.4	42.9	47.6	11.1	4	5/8	3	3 1/2	1.3
1''	123.8	26.7	34.5	17.5	27.0	50.8	53.8	12.7	4	5/8	3 1/4	3 3/4	1.4
1 1/4''	133.3	35.1	43.2	19.0	27.0	63.5	63.5	14.3	4	5/8	3 1/4	3 3/4	1.8
1 1/2''	155.6	40.9	49.5	20.6	30.2	73.0	69.8	15.9	4	3/4	3 3/4	4 1/4	2.7
2''	165.1	52.6	62.0	22.2	33.3	92.1	84.1	17.5	8	5/8	3 1/2	4 1/4	3.2
2 1/2''	190.5	62.7	74.7	25.4	38.1	104.8	100.0	19.0	8	3/4	4	4 3/4	4.9
3''	209.5	78.0	90.7	28.6	42.9	127.0	117.5	20.6	8	3/4	4 1/4	5	5.9

NOTE: dimensions i & k identical to other 300 Lbs flanges ANSI B16.5

# Socket Welding Flanges     ANSI B16.5     600 Lbs



nominal pipe size	outside diam. of flange D	diam. of bore j	diam. of socket j1	thickn. of flange b	length tru hub h	diam. of raised face g	diam. of hub X	depth of socket f	Stud Bolts				approx. weight kilo
									N° of holes i	diam	length		
											1/4" raised face	ring joint	
1/2"	95.2	14.0	22.3	20.7	28.6	34.9	38.1	9.5	4	1/2	3 1/4	3	1.3
3/4"	117.5	13.6	27.7	23.2	31.8	50.8	47.6	12.7	4	5/8	3 1/2	3 1/2	1.4
1"	123.8	24.4	34.5	22.3	33.4	50.8	53.8	12.7	4	5/8	3 3/4	3 3/4	1.8
1 1/4"	133.3	32.5	43.2	27.0	35.0	63.5	63.5	14.3	4	5/8	3 3/4	4	2.7
1 1/2"	155.6	38.1	49.5	28.6	38.2	73.0	69.9	15.9	4	3/4	4 1/4	4 1/4	3.2
2"	165.1	49.3	62.0	31.8	42.9	92.1	84.1	17.5	8	5/8	4 1/4	4 1/2	4.1
2 1/2"	190.5	58.9	74.7	35.0	47.7	104.8	100.0	19.0	8	3/4	4 3/4	5	5.9
3"	209.5	73.7	90.7	38.2	52.4	127.0	117.5	20.6	8	3/4	5	5 1/4	7.3

NOTE: Dimensions, i & k identical to other 600 Lbs Flanges ANSI B 16.5