

Duct clamp galvanised

Field of application

- For attachment of air ducts as well as spiral-seam pipes

Advantages

- Manufactured to suit air duct dimensions
- Practical latching fastener: simple and secure insertion and fastening of the pipe due to quick fastener for nominal pipe size of up to 450 mm, M8 hexagon screws for pipe sizes from 450 mm and upwards
- Easy installation due to the wide opening angle of the clamp
- Added rigidity due to the grooved design of the duct clamp
- Easy clicking-in of the fastening bolt with the tip of a finger
- High level of safety due to the hinge-like opening
- No inadvertent opening once it has clicked in
- The easy click-in fastener allows opening and closing of the pipe clamp with only one hand
- DÄMMGULAST® Vibration control lining with orange identification stripe: average vibration reduction of 18 db(A)
- Manufactured to suite connecting thread M8/M10



Nominal pipe diameter [mm]	Connecting thread	Part no.	Pack size [pieces]
80	M8/M10	143247	100
90		143248	
100		143249	
112		143250	
125		143251	
140		143252	
150		143253	
160		143254	
180		143255	
200		143256	25
224		143257	
250		143258	
280		143259	
300		143260	
315		143261	
355		143262	
400	143263	1	
450	143264		
500	143265		
560	143266		
600	143267		
630	143268		
710	143269		
800	143270		



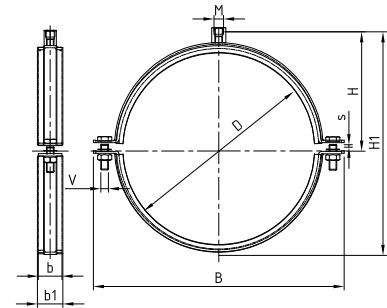
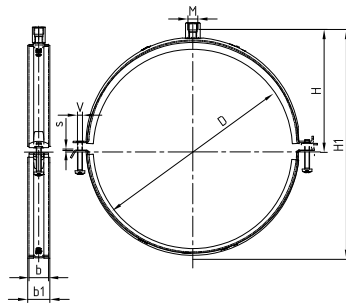
Duct clamps can be produced in all other pipe sizes and types according to customer specifications.

Duct clamp galvanised

Features



Nominal pipe diameter [mm]	Max. recommended load [N]
80-200	700
224-450	1.000
500-800	1.200



Nominal pipe diameter [mm]	V	Dimensions [mm]					
		b x s	B	b1	H	H1	
80	M5	20 x 1,5	124	23	65	114	
90	M5	20 x 1,5	137	23	70	124	
100	M5	20 x 1,5	149	23	76	135	
112	M5	20 x 1,5	157	23	82	147	
125	M5	20 x 1,5	170	23	88	160	
140	M5	20 x 1,5	185	23	96	175	
150	M5	20 x 1,5	195	23	101	185	
160	M5	20 x 1,5	205	23	106	195	
180	M5	20 x 1,5	225	23	116	215	
200	M5	20 x 1,5	245	23	126	235	
224	M6	25 x 1,5	286	28	138	259	
250	M6	25 x 1,5	312	28	151	285	
280	M6	25 x 1,5	342	28	166	315	
300	M6	25 x 1,5	363	28	177	336	
315	M6	25 x 1,5	378	28	184	351	
355	M6	25 x 1,5	418	28	204	391	
400	M6	25 x 2,0	462	28	227	436	
450	M6	25 x 2,0	513	28	253	487	
500	M8	25 x 2,0	567	28	278	538	
560	M8	25 x 2,5	627	28	308	598	
600	M8	25 x 2,5	667	28	328	638	
630	M8	25 x 2,5	697	28	343	668	
710	M8	25 x 2,5	777	28	383	748	
800	M8	25 x 2,5	867	28	428	838	